

Power Splitters & Dividers

Model 1506A Broadband Resistive Power Divider Precision N Connectors

dc to 18.0 GHz
 1 Watt

 **RoHS**



Features

- /// **Accurate Division and Low Frequency Sensitivity** - The symmetry of output power between the two arms is excellent across the frequency range.
- /// **High Stability** - Low temperature and power coefficients ensure attenuation stability.
- /// **Test Data** - Each divider is calibrated at four frequencies, and the data is supplied on a permanently attached test data plate.
- /// **Matched Ports** - Symmetrical 6 dB division permits any port to be used as input.

Specifications

NOMINAL IMPEDANCE: 50 Ω
FREQUENCY RANGE: dc to 18.0 GHz
MAXIMUM INPUT POWER: 1 watt CW, 1 kilowatt peak (5 μsec pulse width, 0.05 % duty cycle)
INSERTION LOSS (between input & one output arm): 6 dB nominal, -0.2, +1.2 dB maximum to 10.0 GHz; +1.5 dB maximum to 18.0 GHz.
NUMBER OF PORTS: 3, interchangeable for input and output
PHASE TRACKING: 5° maximum between ports (J2 & J3) with input connector (J1).

MAXIMUM SWR:

Frequency (GHz)	SWR
dc - 10	1.25
10 - 18	1.35

POWER COEFFICIENT: < 0.005 dB/dB/watt

TEMPERATURE COEFFICIENT: < 0.0004 dB/dB/°C

TEMPERATURE RANGE: -55°C to +125°C

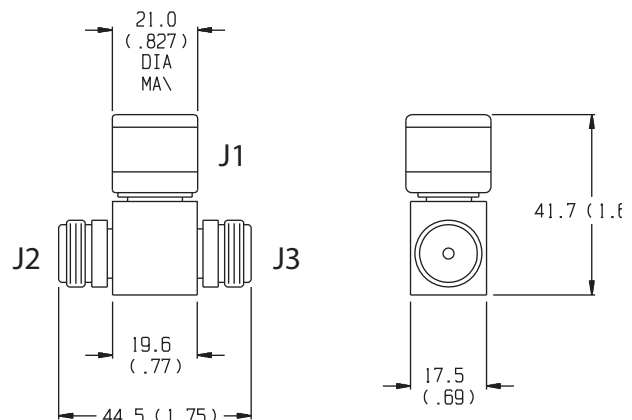
CONSTRUCTION: Nickel plated brass body; stainless steel connectors; gold plated beryllium copper contacts.

TEST DATA: Insertion loss data supplied at 50 MHz, 6.0, 12.0, and 18.0 GHz on nameplate only. No paper data supplied. Other test data can be provided at additional cost.

CONNECTORS: Type N connectors per MIL-STD-348 interface dimensions - mate nondestructively with MIL-C-39012 connectors.

WEIGHT: Net 140 g (5 oz)

PHYSICAL DIMENSIONS:



NOTE: All dimensions are given in mm (inches) and are maximum, unless otherwise specified.

AMPLITUDE TRACKING (Maximum):

Frequency (GHz)	Tracking
dc - 4	0.2 dB
4 - 10	0.4 dB
10 - 18	0.5 dB